

The step shown is for representation only.
See step manufacturer specs. for dimensions
and appearance.

Emerald 12' x 24'

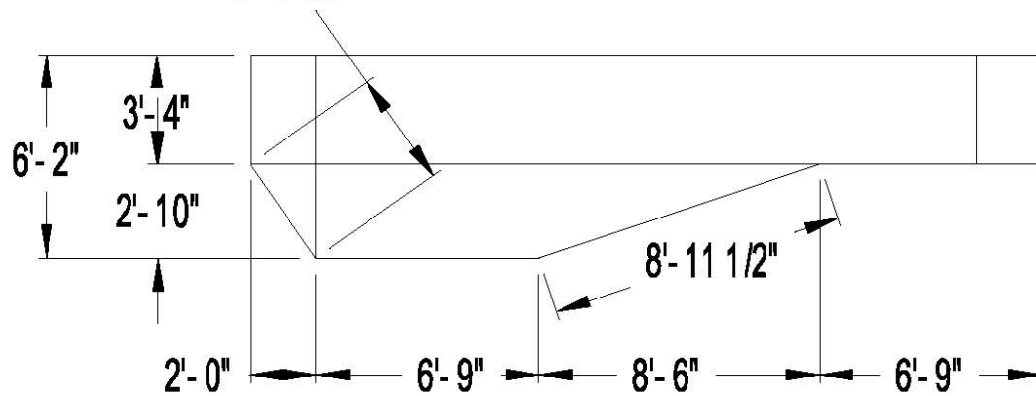
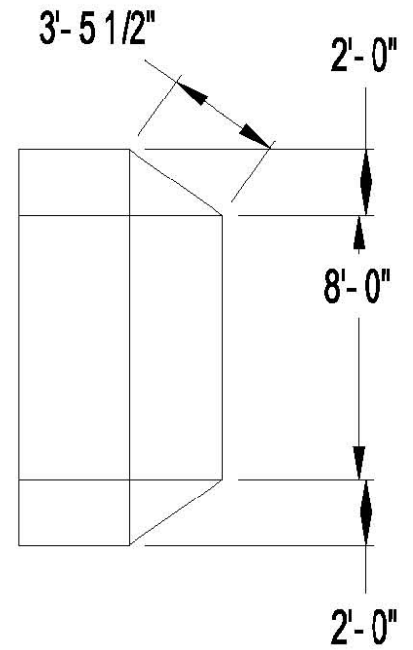
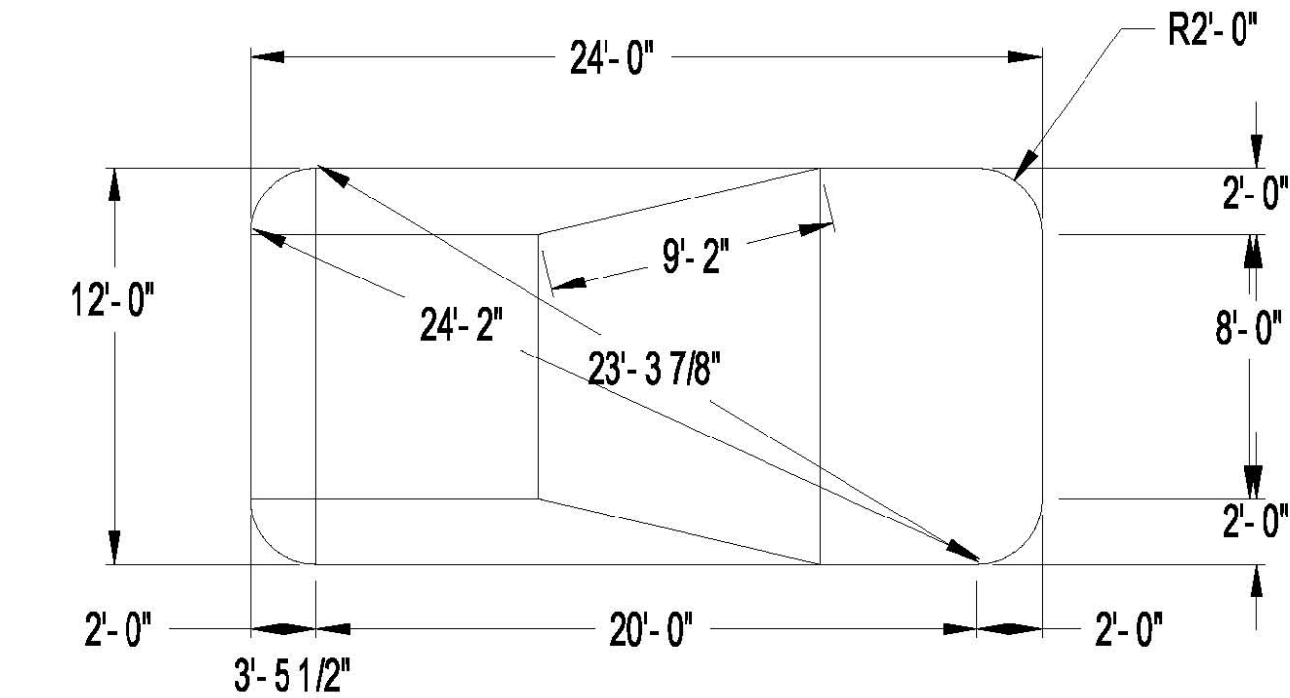
1) THE RETURNS PN'S ARE...

- RETURN-F9800-G (1X)
- RETURN-F9800-N (2X)

△ "A" Frames	(12)
□ Concrete Kit	X3142

Approx. concrete needed for footing only = 3.25 Yds.





AREA: 284.5 Sq. Ft

PERIMETER: 68.5 FT

IMPORTANT:
 THIS POOL IS A TYPE-O NON-DIVING POOL. DIVING AND SLIDE EQUIPMENT IS PROHIBITED. SIGN T1491-78 IS REQUIRED

SYM.	REVISION	DATE

PART		PART NO.		SUFFIX		REV	
STANDARD RADIUS EMERALD, 2' RADIUS CORNERS 12' x 24' (6'-2")		L2056		XX		-	
DATE	PRINT SCALE	DRAWN	CHECKED				
12/13/07	3/32"=1'	JJJ					