

The step shown is for representation only. See step manufacturer specs. for dimensions and appearance.

Emerald 16'x32'

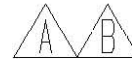
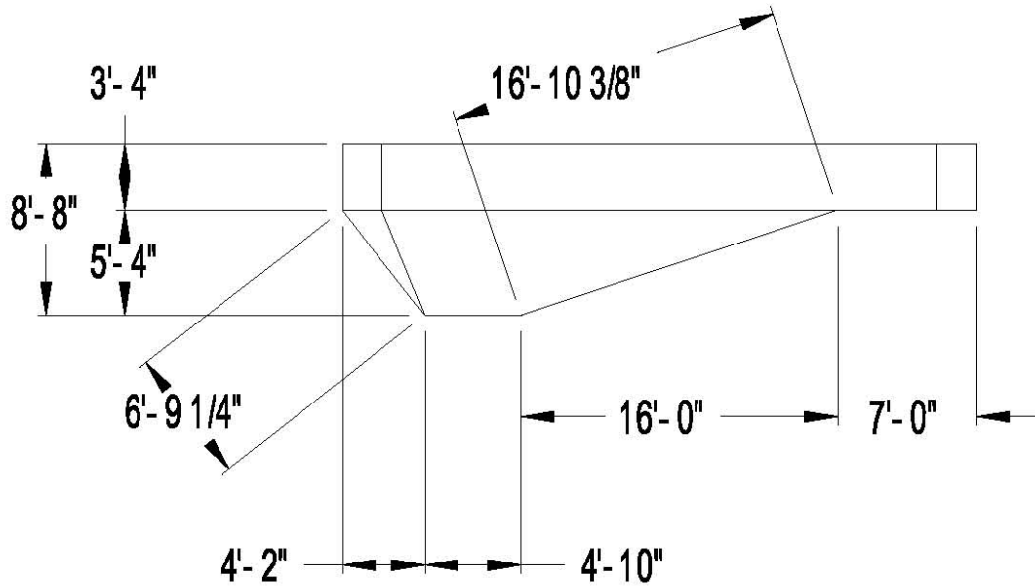
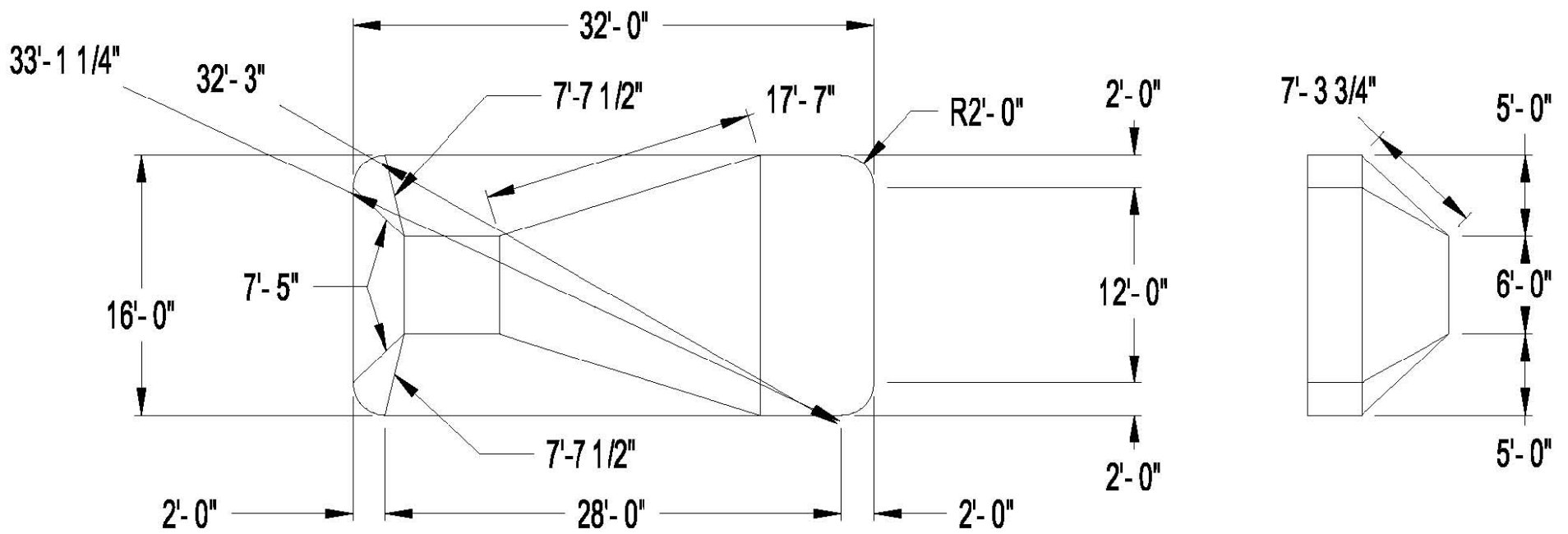


1) THE RETURNS PN'S ARE...
RETURN-F9800-N (3X)

- △ "A" Frames (19)
- Concrete Kit X3143

Approx. concrete needed for footing only = 4.5 Yds.

Scale: 3/16" = 1'



AREA: 508.6 Sq. Ft.
 GALLONS: 17,875
 PERIMETER: 92.6 FT

IMPORTANT:
 THIS POOL IS A TYPE-II DIVING POOL.
 AREA SIGN T1490-78 IS REQUIRED.

SYM.	REVISION	DATE
B	UPDATED CHART	12/14/07
A	UPDATED CHART	10/24/07

PART	DATE	PRINT SCALE	DRAWN	CHECKED
STANDARD RADIUS EMERALD, 2' RADIUS CORNERS 16' x 32' (8'-8")	02/08/05	3/32"=1'	JJJ	

PART NO.	SUFFIX	REV
L1761	XX	B