

The step shown is for representation only. See step manufacturer specs. for dimensions and appearance.

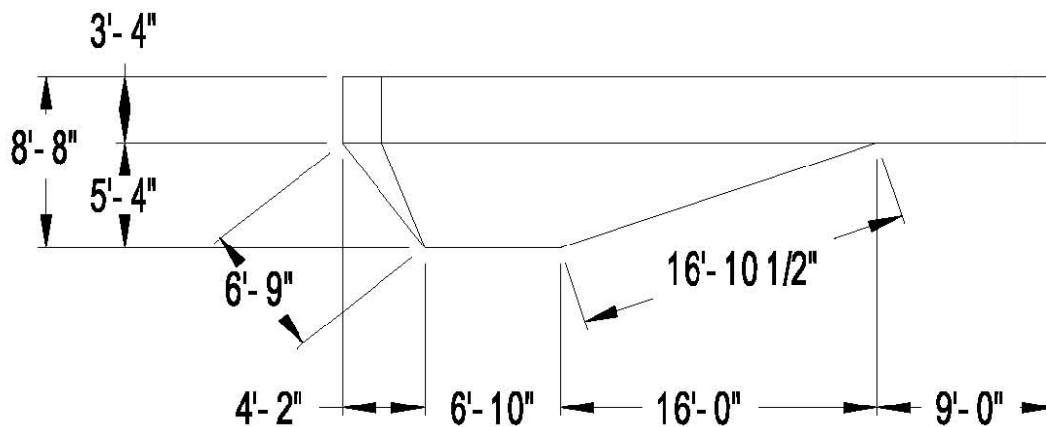
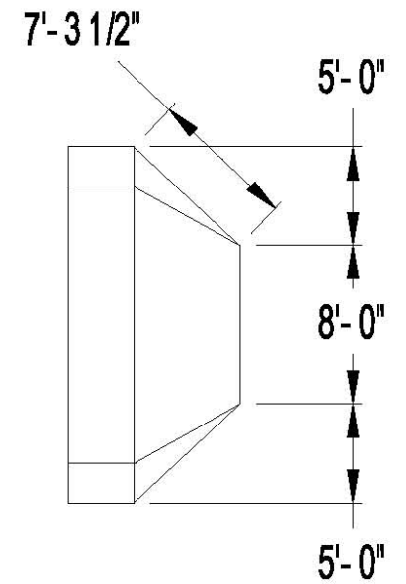
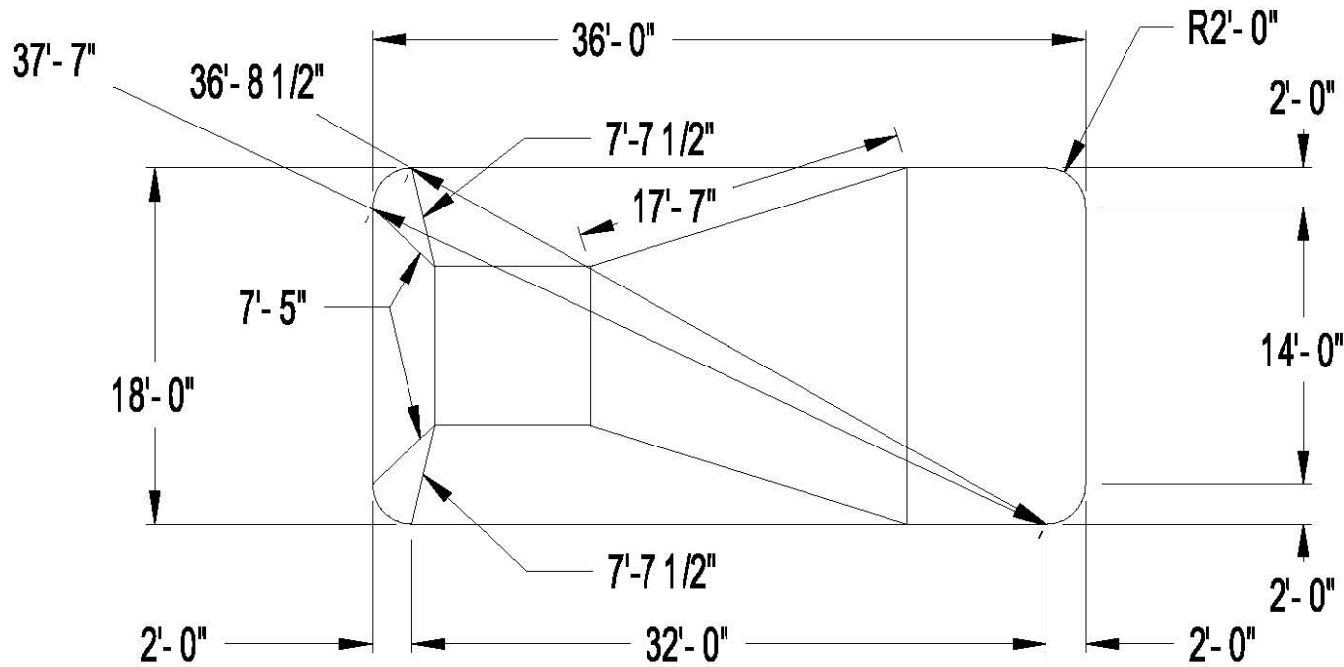
Emerald 18'x36'



PERIMETER: 104.6 FT
 TITLE: Panels and Squaring
 Scale: 5/32" = 1'

- 1) THE RETURNS PN'S ARE...
- △ "A" Frames (22)
 - Concrete Kit X3143
- RETURN-F9800-N (3X)

Approx. concrete needed for footing only = 4.75 Yds.



Blue Wave
In-Ground
 Pool Collection

AREA: 644.6 Sq. Ft
 GALLONS: 23,000
 PERIMETER: 104.6 FT

IMPORTANT:
 THIS POOL IS A TYPE-II DIVING POOL.
 AREA SIGN T1490-78 IS REQUIRED.

PART			PART NO.	SUFFIX	REV	
STANDARD RADIUS EMERALD, 2' RADIUS CORNERS 18' x 36' (8'-8")			L1763	XX	B	
B	UPDATED CHART	12/14/07	DATE	PRINT SCALE	DRAWN	CHECKED
A	UPDATED CHART	10/24/07	02/08/05	3/32"=1'	JJJ	
SYM.	REVISION	DATE				