

The step shown is for representation only. See step manufacturer specs. for dimensions and appearance.

### Emerald 20'x40'

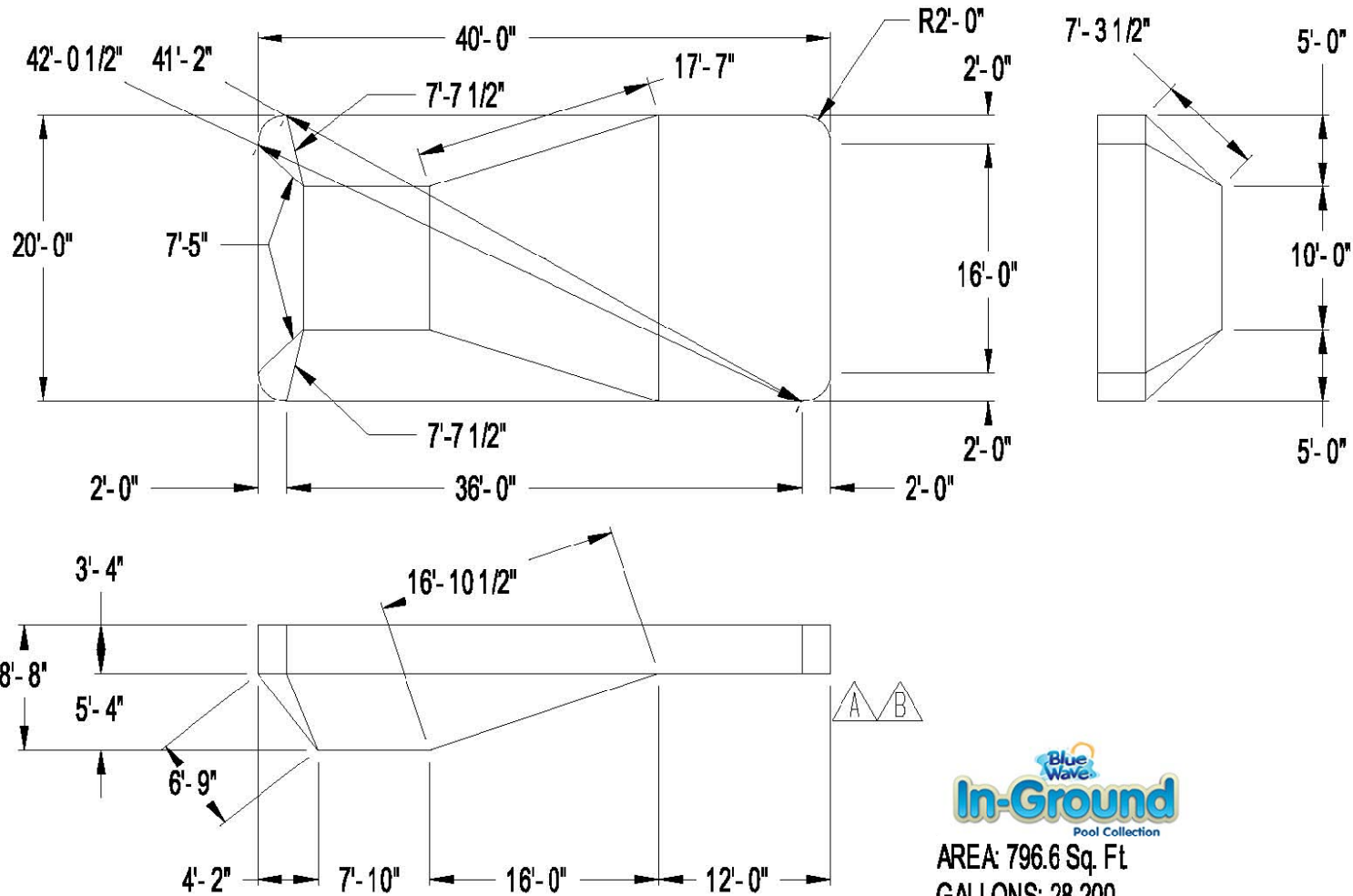


PERIMETER: 116.6 FT  
 TITLE: Panels and Squaring  
 Scale: 5/32" = 1'

1) THE RETURNS PN'S ARE...  
 RETURN-F9800-N (3X)

△ "A" Frames	(28)
□ Concrete Kit	X3144

Approx. concrete needed for footing only = 5 Yds.



AREA: 796.6 Sq. Ft  
 GALLONS: 28,200  
 PERIMETER: 116.6 FT

**IMPORTANT:**

*THIS POOL IS A TYPE-II DIVING POOL.  
 AREA SIGN T1490-78 IS REQUIRED.*

B	UPDATED CHART	12/14/07
A	UPDATED CHART	10/24/07
SYM	REVISION	DATE

PART STANDARD RADUS EMERALD, 2' RADIUS CORNERS 20' x 40' (8'-8")		PART NO. SUFFIX REV L1764 XX B	
DATE	PRINT SCALE	DRAWN	CHECKED
02/08/05	3/32"=1'	JJJ	