

The step shown is for representation only. See step manufacturer specs. for dimensions and appearance.

Grecian 16'x32'

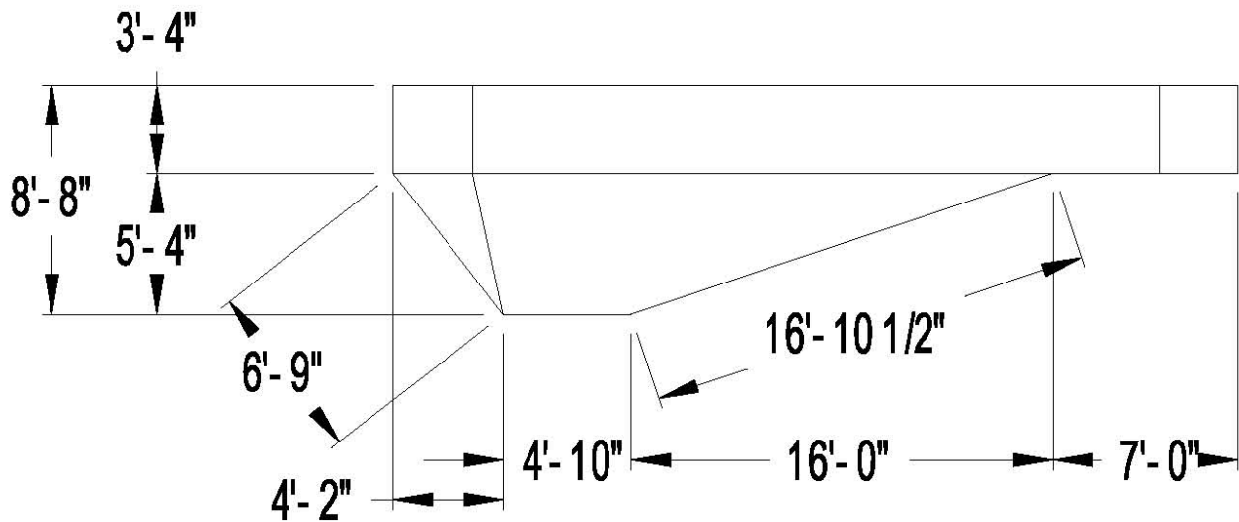
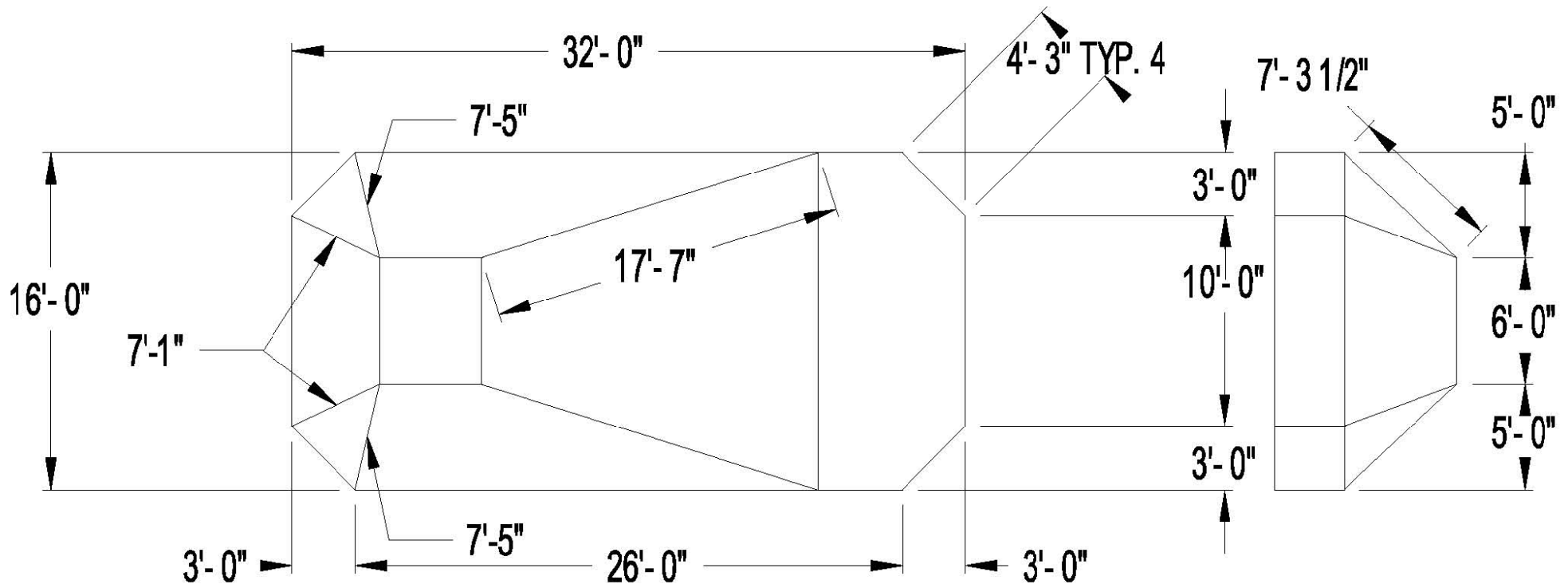


PERIMETER: 89 FT
 TITLE: Panels and Squaring
 Scale: 3/16" = 1'

1) THE RETURNS PN'S ARE...
 RETURN-F9797 (2X)
 RETURN-F9800-N (1X)

▲ "A" Frames	(19)
□ Concrete Kit	X3142

Approx. concrete needed for footing only = 4 1/4 Yds.



IMPORTANT:
 THIS POOL IS A TYPE-II DIVING POOL.
 AREA SIGN T1490-78 IS REQUIRED.

PART EMERALD 16' x 32' (8'-8")-STANDARD		PREFIX PART NO. SUFFIX REV L711 XX A	
DATE 11/11/87	PRINT SCALE 1/8"=1'	DRAWN JBJ	CHECKED
SYM.	REVISION	DATE	
	REDRAWN COMPUTER	02/12/98	