

The step shown is for representation only. See step manufacturer specs. for dimensions and appearance.

1) THE RETURNS PN'S ARE...

- RETURN-F9797 (2X)
- RETURN-F9800-N (1X)

△ "A" Frames	(20)
□ Concrete Kit	X3142

Approx. concrete needed for footing only=4 3/4 Yds.

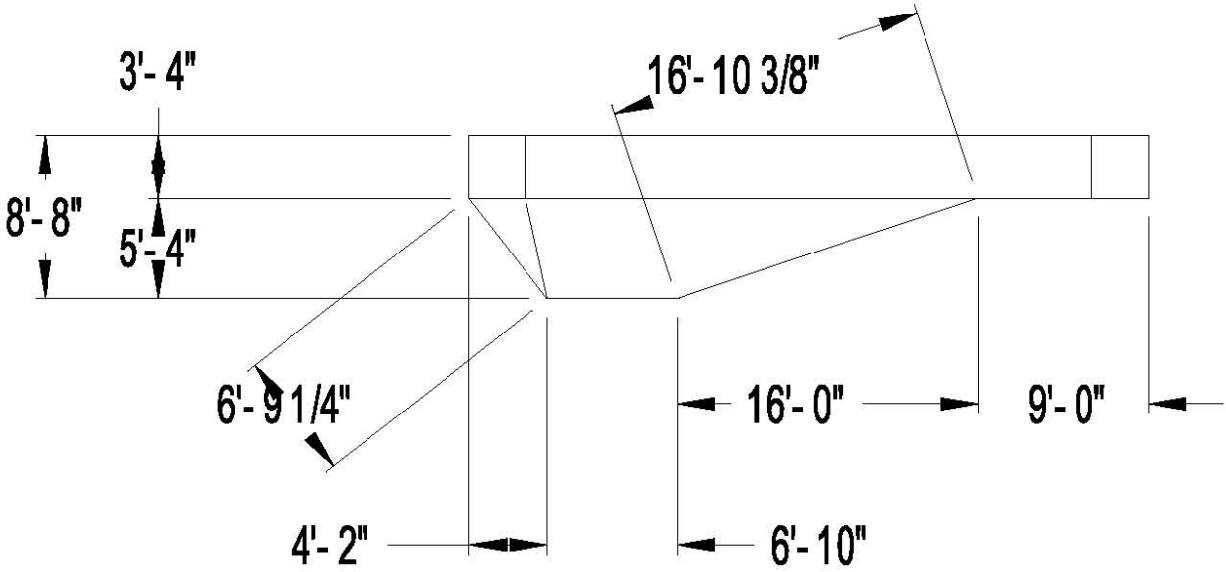
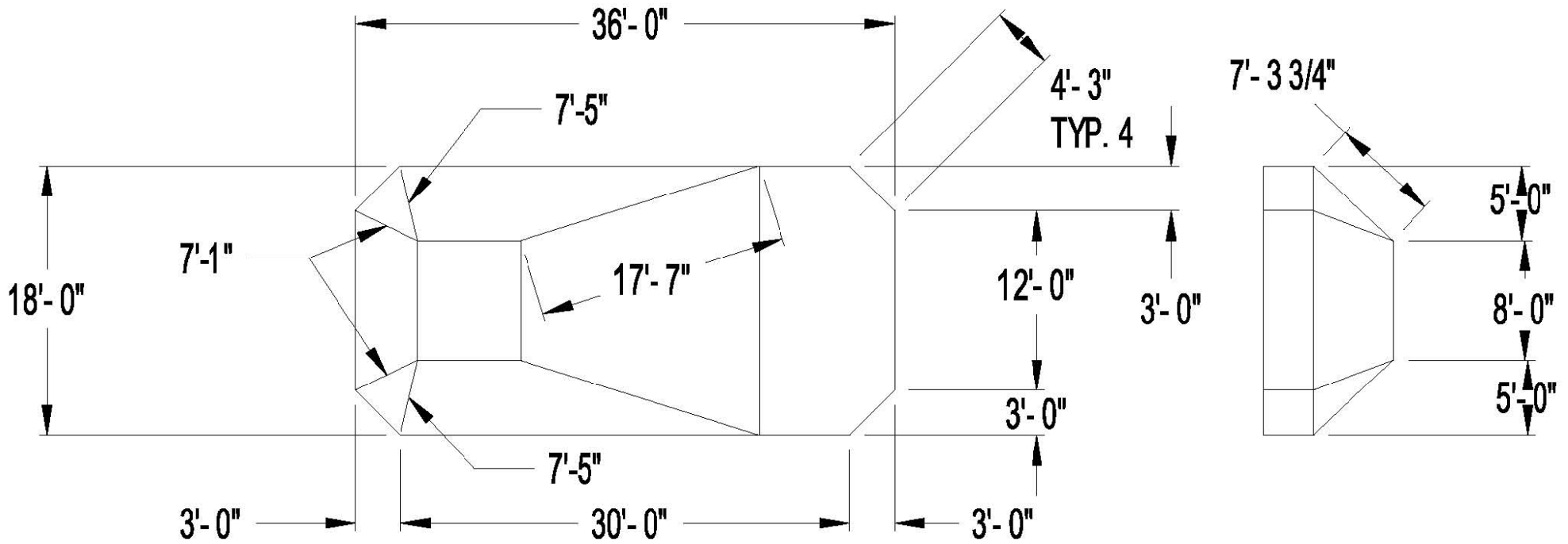
Grecian 18'x36'



PERIMETER: 101 FT

TITLE: Panels and Squaring

Scale: 5/32" = 1'



NOTE:
 1) THIS IS A TYPE II DIVING POOL.
 2) AREA SIGN T1490-78 IS REQUIRED.

		PART EMERALD 18' x 36' (8'-8")-STANDARD			PREFIX PART NO. SUFFIX REV L708 XX -		
▲	REDRAWN	04/26/96	DATE	DRAWN AT	PRINT AT	DRAWN	CHECKED
SYM.	REVISION	DATE	11/09/87	1:1	3/32"=1'	JDJ	