

The step shown is for representation only. See step manufacturer specs. for dimensions and appearance.

Grecian 20'x40'

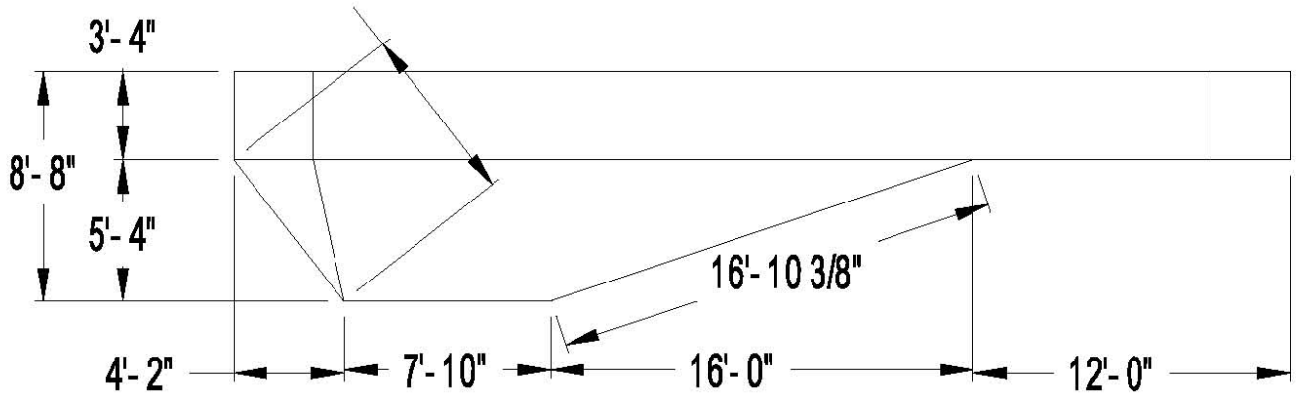
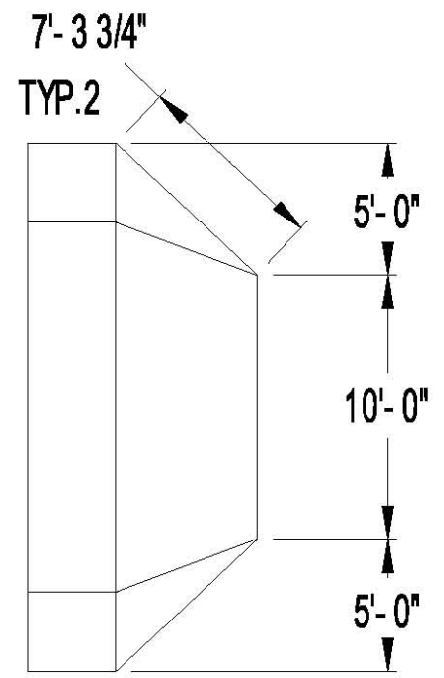
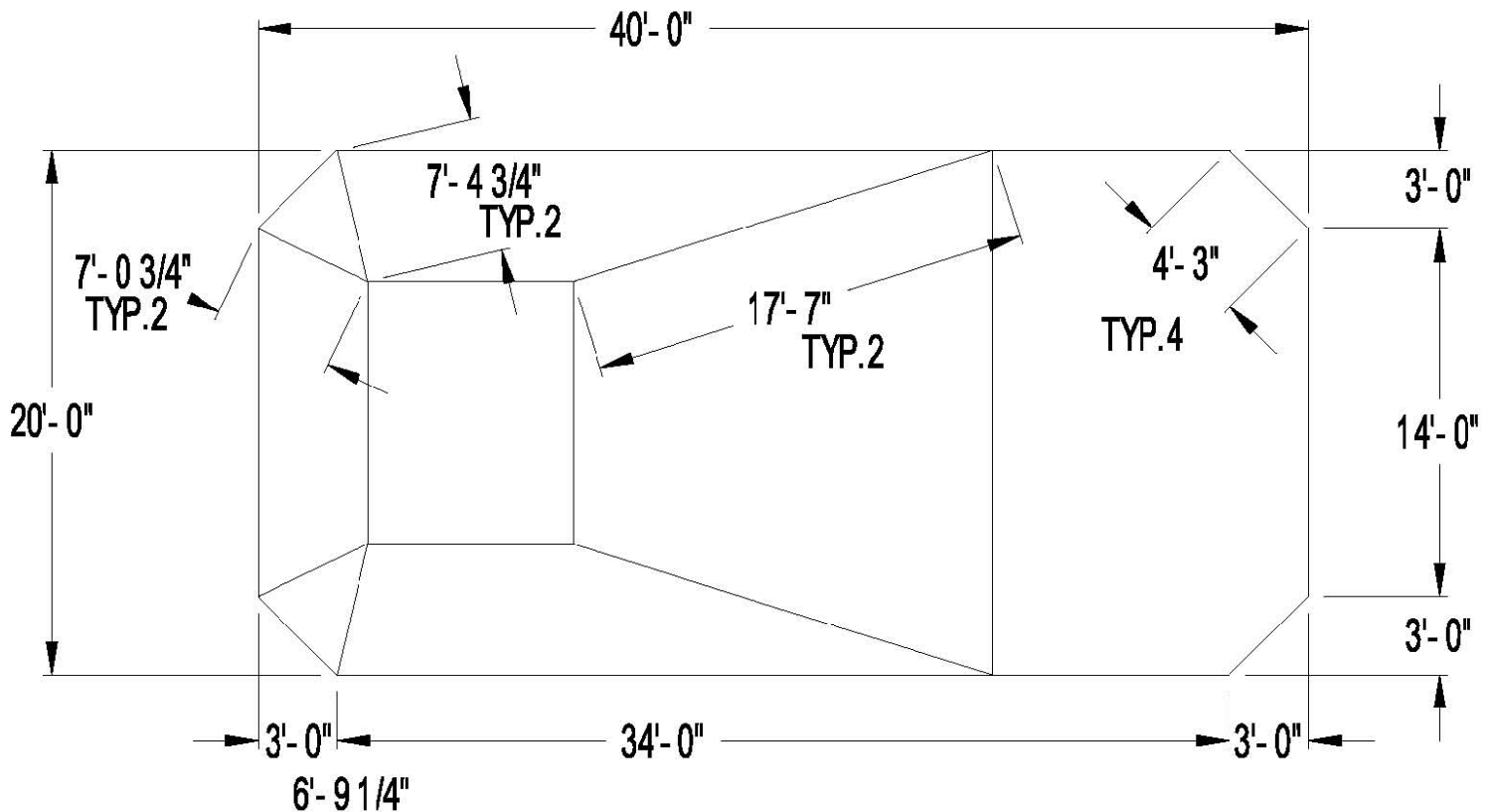


AREA: 782 SQ FT
 GALLONS: SEE HOLE DRAWING
 PERIMETER: 113 FT
 TITLE: Panels and Squaring
 Scale: 5/32" = 1'

1) THE RETURNS PN'S ARE...
 RETURN-F9797 (2X)
 RETURN-F9800-N (1X)

△ "A" Frames	(23)
□ Concrete Kit	X3143

Approx. concrete needed for footing only=5 1/4 Yds.



NOTE:
 1) THIS IS A TYPE II DIVING POOL.
 2) AREA SIGN T1490-78 IS REQUIRED.

SYM.	REVISION	DATE

PART STANDARD 20'-0" X 40'-0" EM (8'-8" DEEP)				PREFIX L	PART NO. 707	SUFFIX -XX	REV
DIE NO. -----	MAT' _ VINYL	DATE 11/5/1987	SCALE 1 : 1	PRINTED AT 1/8" = 1'	DRAWN RFV	CHECKED	